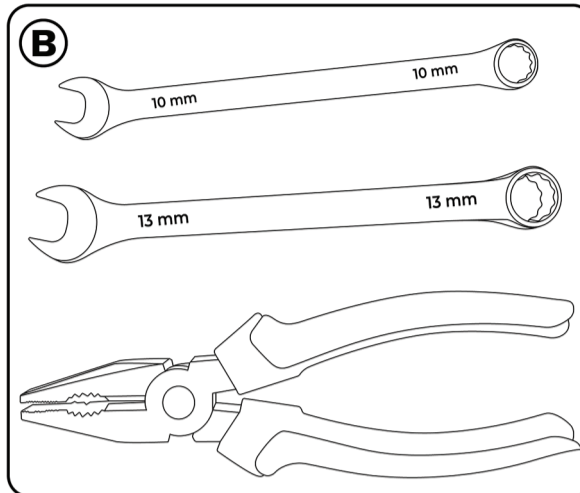
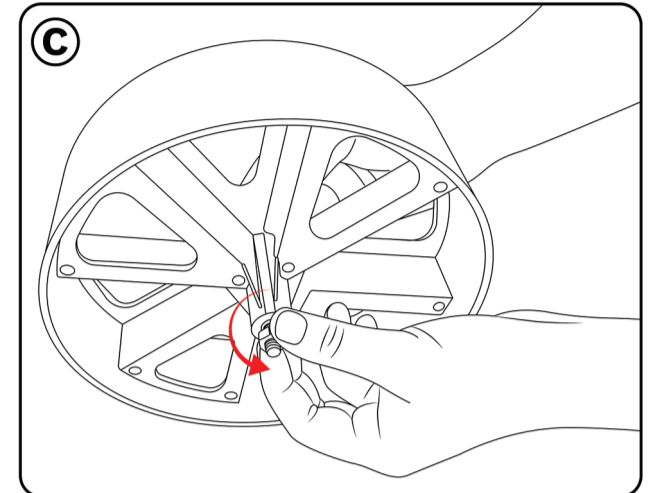


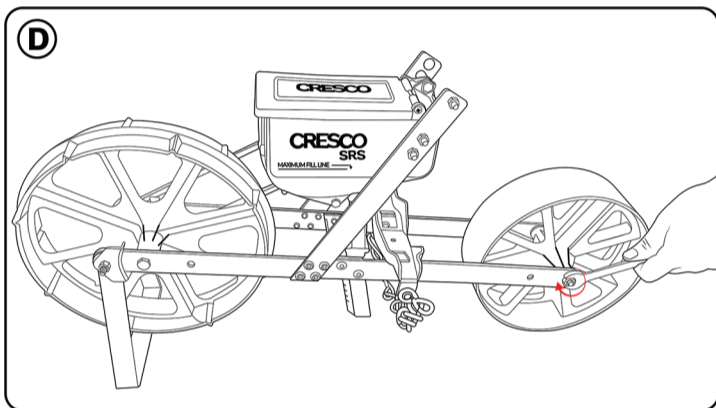
Open the Cresco SRS box and layout all the contents on the floor. Count all items and make sure they are there.



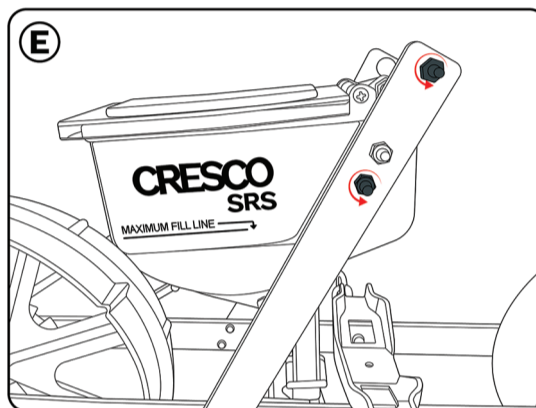
You will need the following tools; 10 mm spanner, 13mm spanner and a pair of pliers.



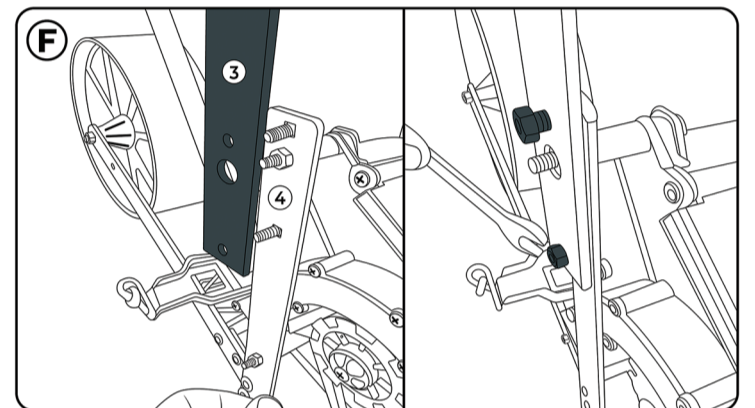
Remove the long bolt located through the middle of item 2 (Rear wheel).



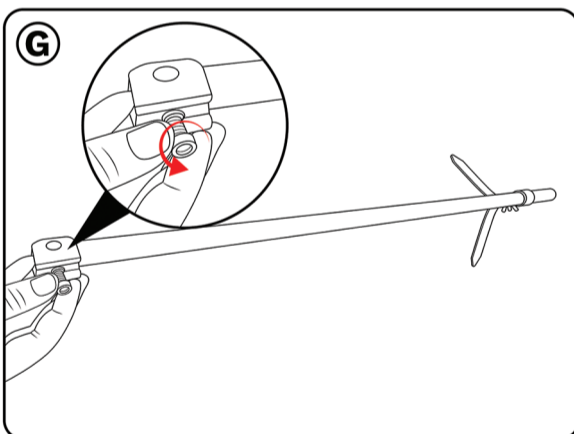
Align the centre hole of item 2 (Rear wheel) to the back hole of item 4 (main body frame). Tighten nut to secure item 2 (Rear wheel).



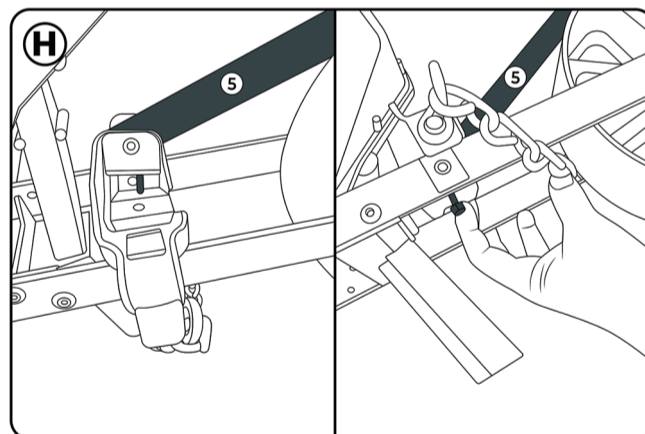
Remove the highlighted nuts from item 4 (main body frame). Remove the same nuts on the reverse side.



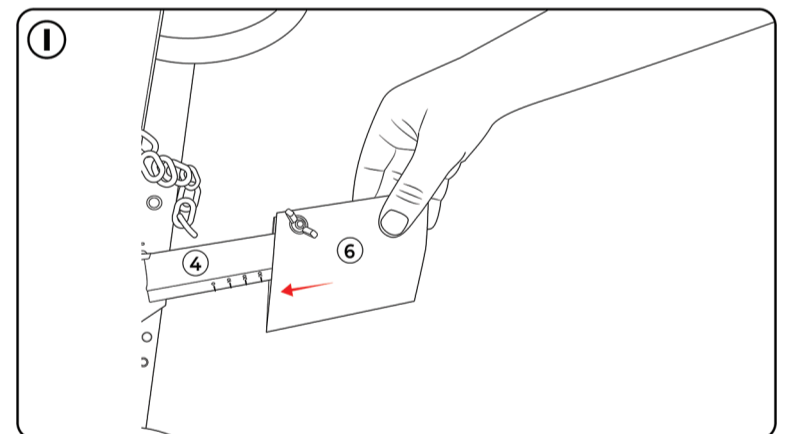
Align the holes of item 3 (Handle Section) with the bolts protruding from item 4 (main body frame). Place item 3 (handle section) onto item 4 (main body frame) and tighten the highlighted nuts.



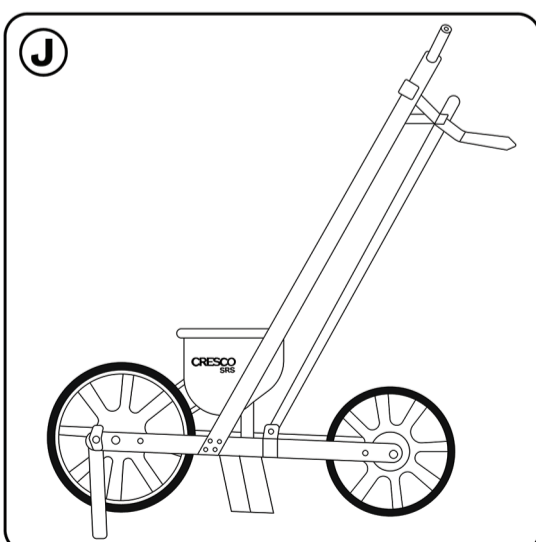
Take item 5 (row marker arm) and remove the nut located at the bottom end.



Place the bolt protruding from item 5 (row marker) into the hole shown on item 4 (main body frame). Secure item 5 (row marker) with the nut you removed in step G.



Take item 6 (Depth setting blade) and loosen the wing nut slightly. Slide item 6 (Depth setting blade) onto the depth marker protruding from the bottom of item 4 (main body frame).



Your Cresco SRS seeder is now complete and you are ready to insert a seed plate.

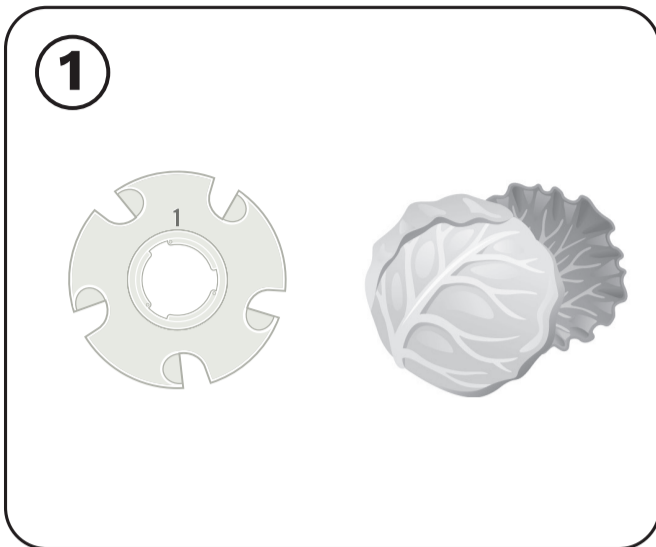
At Cresco, we value the effect our business has on the environment. As a result, the following information can be found online via the QR code.

- How to use my Cresco SRS
- Warranty
- Spare Parts
- Maintenance
- Video Assembly

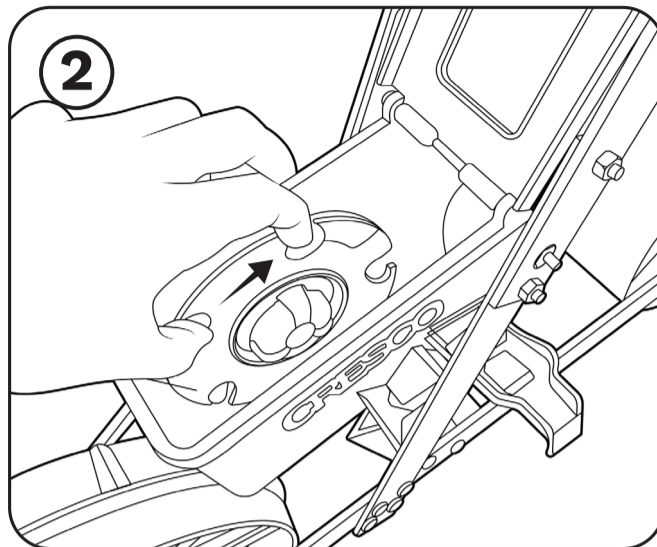


Flip page for seed plate instructions!

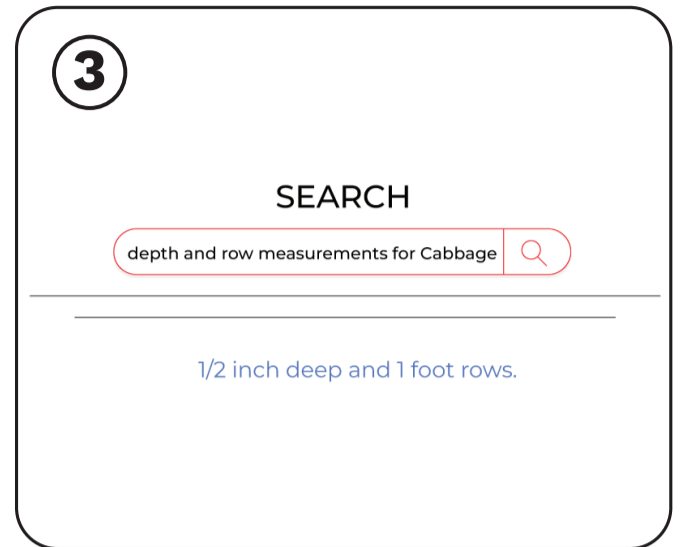
To use the Cresco SRS, please follow these simple steps;



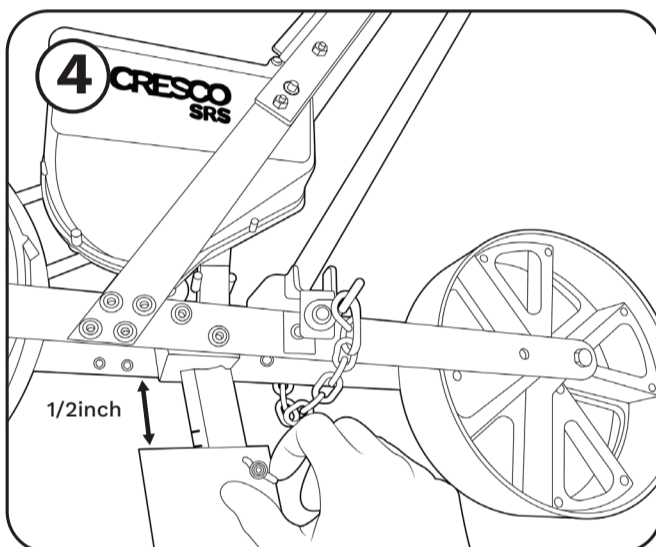
To find the correct seed plate, take a look at the back of the product box. For the purpose of this explanation, we will be planting a large cabbage which requires seed plate number one.



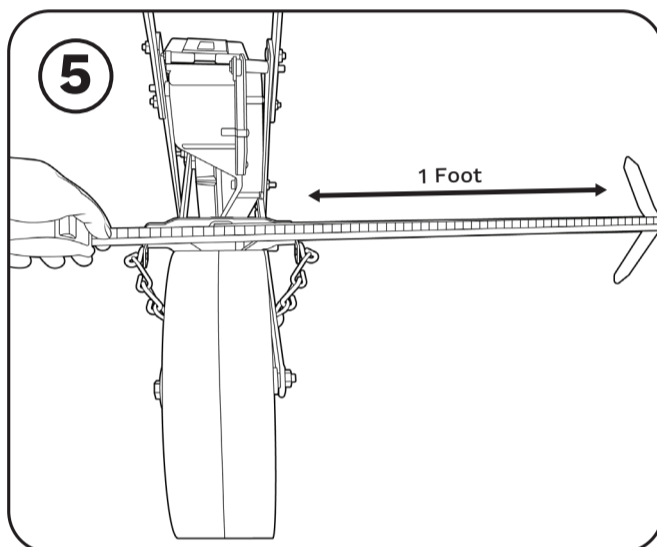
Insert the seed plate into the SRS hopper by placing it over the centre of the mounting and turning the plate clockwise to lock it into position.



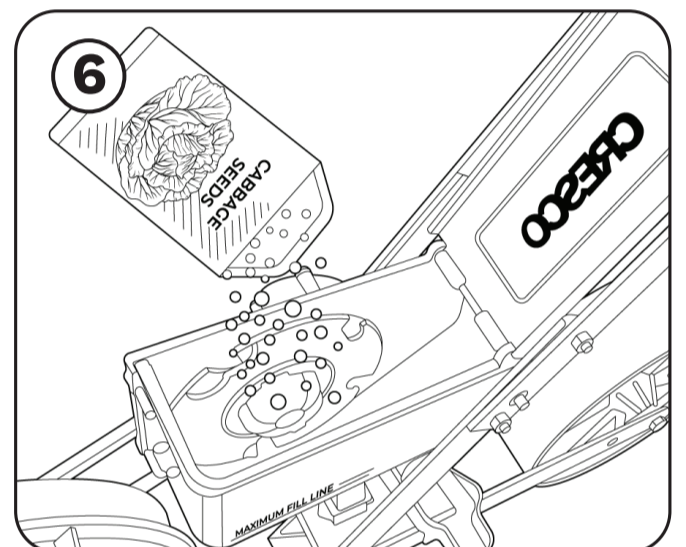
Select the required depth setting and row length. This information should be provided on your seed packet, but if not, simply look the information up online.



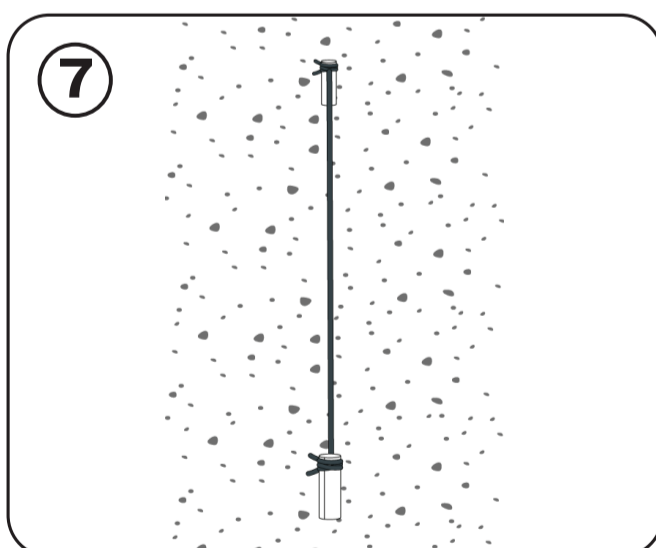
Adjust the depth setter to the recommended depth for your specific fruit or vegetable.



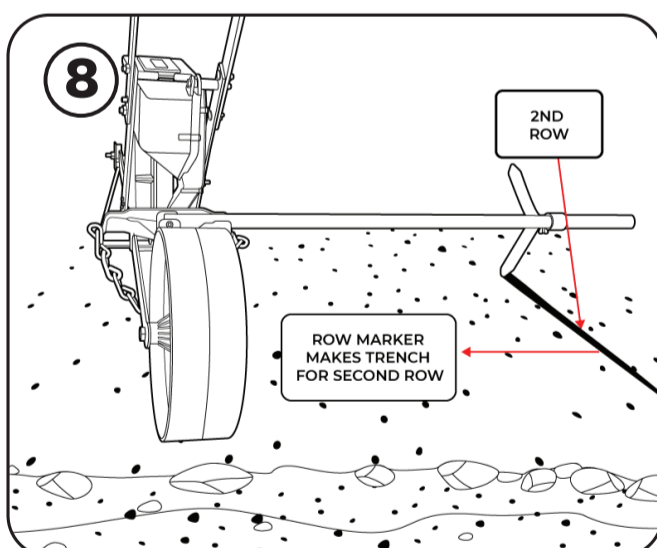
Adjust the row marker to the correct distance as shown



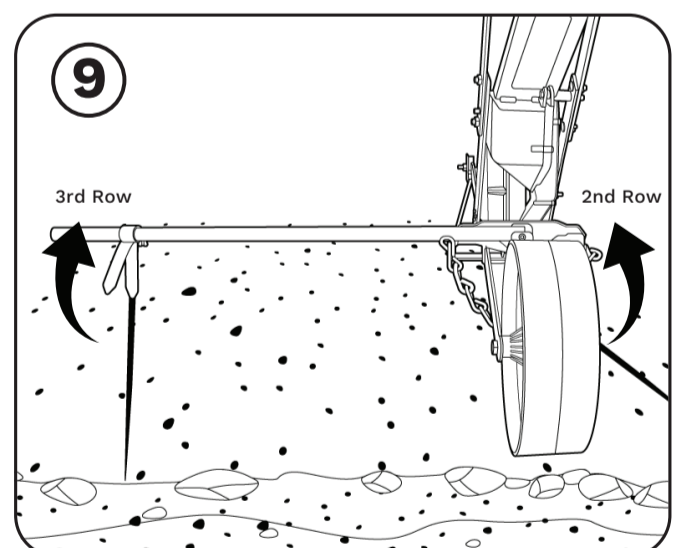
Empty the seeds into the hopper but make sure you do not exceed the maximum fill line. Overfilling can result in over application which will damage your yield.



The Cresco SRS is now ready to use. It is always best to mark out a straight line before commencing the first pass. An easy way to do this is to attach a piece of string to pegs at both ends of the tilth.



Engage the pre-set row marker. Push the SRS forward at a slow walking speed following the string you have marked out for your first row.



Stop at the end of the first run and place the marker back in its holder in the vertical position. The marker will have left a trail to be followed for the next seeding row (2nd Row). Now place the marker on the opposite side (on your left) and push the seeder along the track made by the marker on your first run (2nd Row).

After use

There is no significant maintenance required on the S.R.S. Between uses it is recommended the seed plate in the hopper be removed. To remove or change over the seed plate in the hopper simply hold the plate and turn it anti clockwise, it will then release. Do not store with seed in the hopper always empty it out to prevent seed decomposing in the hopper over a storage period. It is advisable to clean the inside of the hopper ready for the next use. Store the Cresco SRS and the seed plates bag in a safe dry place ready for future use.